

New Media Power Socket Outlets



New Media Power Socket Outlets



The New Media Modules offer a flexible build solution to a host of individual power socket outlet requirements. The clip fit grid modules are simple to install in their blank mounting plates.

New Media Power Socket Outlets

Product Range

New Media Power Socket Outlets

MM010**	13A UK Socket Outlet
MM020**	16A European Schuko Socket Outlet
MM030**	15A 125V US Socket Outlet
MM033**	15A Round Pin Socket Outlet
MM038**	5A Round Pin Socket Outlet



MM010BK



MM020WH



MM030BK



MM033WH

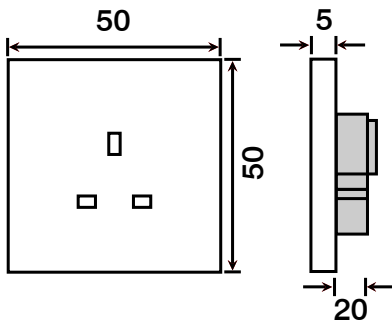


MM038BK

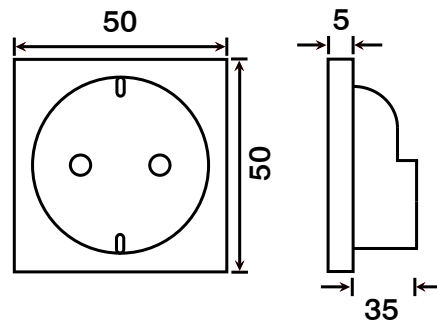
New Media Power Socket Outlets

Product Dimensional Drawings (mm)

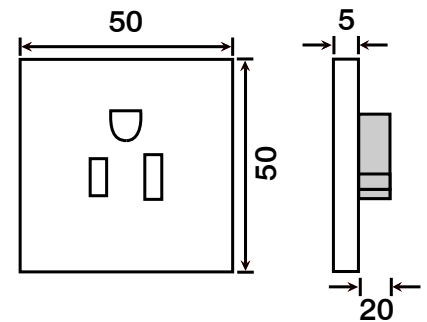
MM010



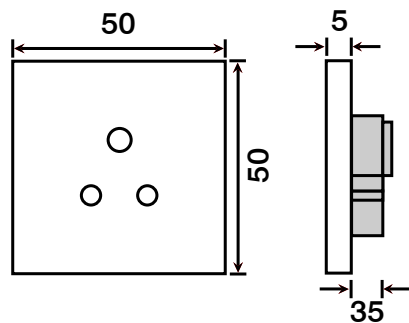
MM020



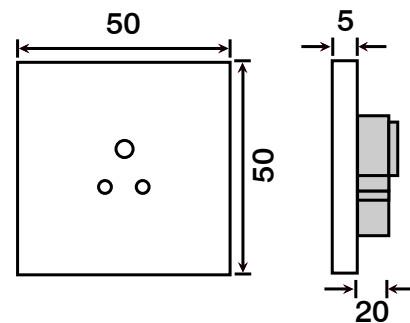
MM030



MM033



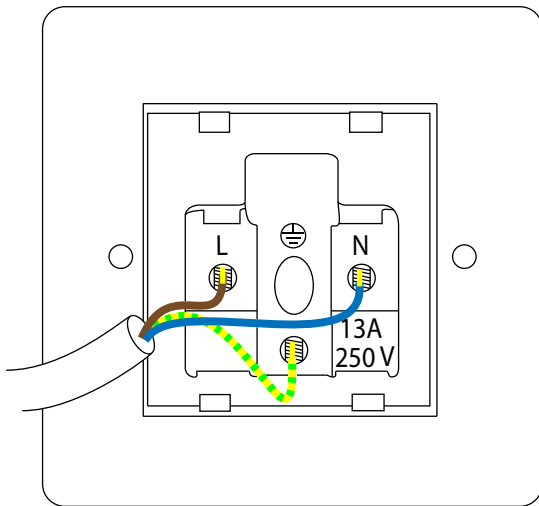
MM038



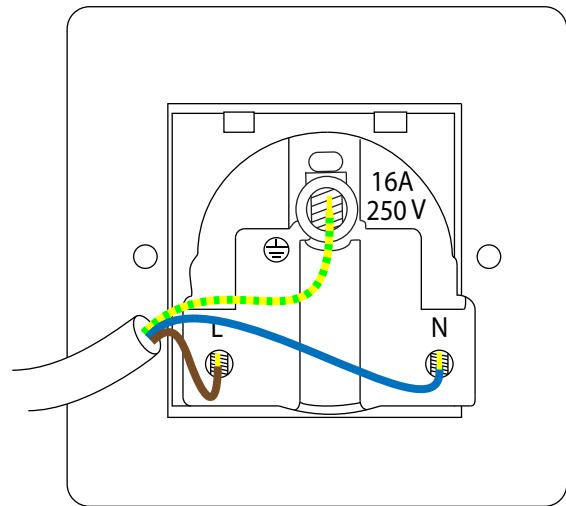
New Media Power Socket Outlets

Wiring Diagrams

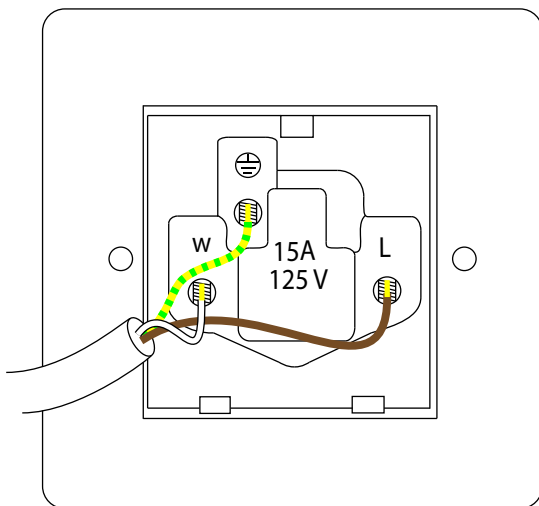
MM010



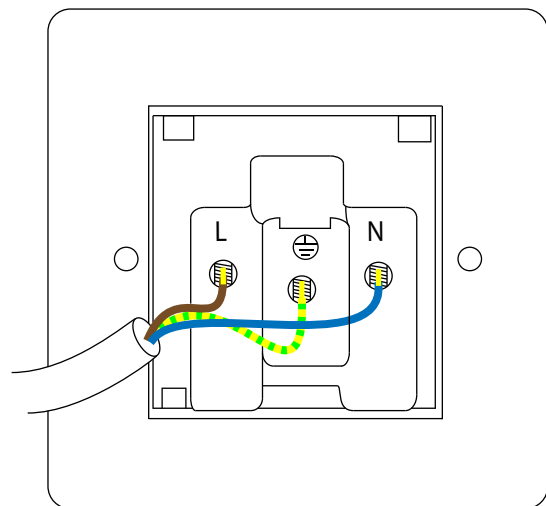
MM020



MM030



MM033, MM038



New Media Power Socket Outlets

Technical Specification

New Media Power Socket Outlets

Material Composition	Module: Polycarbonate
	Rear Housing: Nylon
	Terminal: Brass
	Terminal Screws: Steel & Yellow Passivated
Voltage	240V~ 50Hz / 125V~ 60Hz (MM030)
Current Rating	13A (MM010), 16A (MM020), 15A (MM030, MM033), 5A (MM038)
Terminal Size	4.5mm \varnothing (MM010 & MM038) 5mm \varnothing (MM020, MM030 & MM033)
Torque Value	1.2 Nm (MM010, MM030, MM033 & MM038) 2.0 Nm (MM020)
Cable Size	1 x 6mm ² or 3 x 2.5mm ²
Back Box Depth	25mm - 47mm (Dependant on Module & Mounting Plate Used)
Module Size	Twin Width (50mm x 50mm)
Modular	Yes
Warranty	1 Year
IP Rating	IP20
Operational Temperature	-5° to +40°C
Standards	BS 1363-2: 1995 + A4: 2012 (MM010)
	IEC 60884-SS428 0834 (MM020)
	UL 498 (MM030)
	BS 546:1950 (MM033, MM038)

Additional Information

Standard Euro Module Size.

MM020 requires a 47mm Back Box Minimum.

Ensure that the mains supply is isolated before commencing installation and refer to the circuit diagram with the relevant product.

Bare earth cables must always be covered with appropriate sleeving and wired to the earth terminal.



DECLARATION OF CONFORMITY

1. *Issuer Name* Scolmore International Limited
2. *Issuer Address* 1 Scolmore Park, Landsberg,
Lichfield Road Industrial Estate,
Tamworth, Staffordshire, B79 7XB
3. *Object(s) of Declaration* New Media Range
 - a. *Group* Power Socket Outlets
 - b. *Model No.* MM010, MM020, MM030, MM033, MM038
4. *The object of the declaration described above is in conformity with the requirements of the following Legislations:*
5. *All products contained within the aforementioned comply with the relevant standards and requirements listed below.*

BS 1363-2: 1995 + A4: 2012

UL498

IEC 60884-1 : 2002 + A1 : 20006 / SS 4280834: 2004

BS 546:1950

6. *I hereby declare that the equipment named above has been designed to comply with the relevant sections of the above referenced specifications. The unit complies with all applicable Essential Requirements of the Directives.*

In conjunction with the above all manufacture and process controls are in accordance with ISO 9001:2008

Signed, for and on behalf of: Scolmore International Limited

Steven Bettson BSc - Senior Technical Support Engineer

CE 15